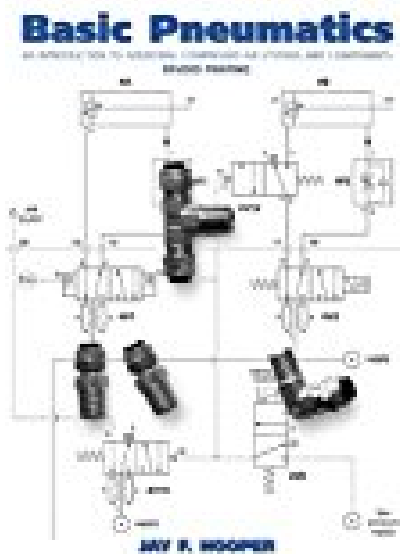


Basic Pneumatics An Introduction to Industrial Compressed Air Systems and Components Revised Printing



BOOK DETAILS

- Author : Jay F. Hooper
- Pages : 118 Pages
- Publisher : Carolina Academic Press
- Language : English
- ISBN : 1611634113

[DOWNLOAD](#)

BOOK SYNOPSIS

BASIC PNEUMATICS AN INTRODUCTION TO INDUSTRIAL COMPRESSED AIR SYSTEMS AND COMPONENTS REVISED PRINTING - Are you looking for Ebook Basic Pneumatics An Introduction To Industrial Compressed Air Systems And Components Revised Printing? You will be glad to know that right now Basic Pneumatics An Introduction To Industrial Compressed Air Systems And Components Revised Printing is available on our online library. With our online resources, you can find Applied Numerical Methods With Matlab Solution Manual 3rd Edition or just about any type of ebooks, for any type of product.

Best of all, they are entirely free to find, use and download, so there is no cost or stress at all. Basic Pneumatics An Introduction To Industrial Compressed Air Systems And Components Revised Printing may not make exciting reading, but Applied Numerical Methods With Matlab Solution Manual 3rd Edition is packed with valuable instructions, information and warnings. We also have many ebooks and user guide is also related with Basic Pneumatics An Introduction To Industrial Compressed Air Systems And Components Revised Printing and many other ebooks. We have made it easy for you to find a PDF Ebooks without any digging. And by having access to our ebooks online or by storing it on your computer, you have convenient answers with Basic Pneumatics An Introduction To Industrial Compressed Air Systems And Components Revised Printing. To get started finding Basic Pneumatics An Introduction To Industrial Compressed Air Systems And Components Revised Printing, you are right to find our website which has a comprehensive collection of manuals listed.